

# HiveAP 170

## 802.11n access point



The **Aerohive HiveAP 170** is a durable, enterprise-grade, high performance (2x2) MIMO solution, specially designed for outdoor high-bandwidth-demand wireless deployments in harsh environs.

AEROHIVE NETWORKS HiveAP 170 access point (AP) is a high-performing, cost-effective and rugged 802.11n outdoor access point. The HiveAP 170 provides high-performance dual concurrent (2.4GHz and 5GHz) 802.11n (2x2) MIMO as well as a 10/100/1000 Ethernet port.

The HiveAP 170 is an enterprise-grade, high performance (2x2) MIMO solution, designed for high bandwidth demand outdoor wireless environments. With extended temperature range and a watertight chassis the AP 170 can be deployed in most every outdoor environment on earth. The HiveAP with four antennas and the ability to provide service concurrently on both 2.4GHz and 5GHz bands the HiveAP 170 provides both high speed mesh and support for 802.11n as well as legacy 802.11a, b, and g clients, through Aerohive's industry unique and resilient controller-less architecture.

### Software Features

#### HiveOS

All HiveAPs support the feature-rich HiveOS service architecture. HiveOS is an implementation of Aerohive's Cooperative Control Architecture which enables multiple APs to organize into groups or "hives," that share control information enabling functions such as fast layer-2/layer-3 roaming, cooperative RF management, security and mesh networking without requiring a dedicated system controller. The resulting feature-rich capability enables a next generation wireless LAN architecture, called a Cooperative Control Wireless LAN Architecture. This architecture provides the benefits of a controller-based implementation, yet has a lower deployment/ownership cost, is more reliable, more scalable, higher performing and more suitable for today's proliferation of wireless applications than controller-based architectures.

For product information on HiveOS, visit [aerohive.com/products/software-management/hiveos](http://aerohive.com/products/software-management/hiveos)

#### Network Management Solutions

Aerohive's HiveManager NMS is a central management solution for Aerohive HiveAPs. HiveManager supports simple policy creation, firmware upgrades, configuration updates, and centralized monitoring throughout the entire Aerohive deployment, whether building-wide, campus-wide, or global - all from a single console. Because the HiveManager is not actively involved in passing traffic or in making forwarding decisions, it eliminates the traffic bottlenecks and complexities of controller-based solutions, particularly in geographically distributed environments. As a result, control is distributed, while management is centralized. Essentially, the HiveManager solution delivers the benefits of both autonomous APs and controller-based solutions, without the drawbacks of either approach.

Aerohive's HiveManager NMS can be delivered two ways:

- HiveManager Online—a cloud-based management service from Aerohive
- HiveManager VMware virtual appliance—an on-premise VM management solution

For more information visit [aerohive.com/products/software-management/hivemanager](http://aerohive.com/products/software-management/hivemanager)

### Warranty and Support

Every Aerohive Networks HiveAP is backed by a limited lifetime hardware warranty. Extended product and technical support may be purchased separately and can include next day advanced replacement, 24x7 or 8x5 technical support, web and email support access, and software updates. For complete support terms go to [www.aerohive.com/support](http://www.aerohive.com/support).

**Contact us today** to learn how your organization can benefit from an Aerohive wireless LAN architecture.



## Product Specifications

### Included Mounting Options

- Wall Mount
- Pole Mount 1 to 2.5 inches in diameter

### Radio Specifications—802.11a

- 5.150–5.950 GHz Operating Frequency
- Orthogonal Frequency Division Multiplexing (OFDM) Modulation
- Rates (Mbps): 54, 48, 36, 24, 18, 12, 9, 6 w/ auto fallback

### Radio Specifications—802.11b

- 2.4–2.5 GHz Operating Frequency
- Direct-Sequence Spread-Spectrum (DSSS) Modulation
- Rates (Mbps): 11, 5.5, 2, 1 w/ auto fallback

### Radio Specifications—802.11g

- 2.4–2.5 GHz Operating Frequency
- Orthogonal Frequency Division Multiplexing (OFDM) Modulation
- Rates (Mbps): 54, 48, 36, 24, 18, 12, 9, 6 w/ auto fallback

### Radio Specifications—802.11n

- 2.4–2.5 GHz & 5.150–5.950 GHz Operating Frequency
- 802.11n Modulation
- Rates (Mbps): MCS0 - MCS15 (6.5Mbps - 300Mbps)
- 2x2 Multiple-In, Multiple-Out (MIMO) Radio
- HT20 and HT40 High-Throughput (HT) Support
- A-MPDU and A-MSDU Frame Aggregation

### Antennas

- 4x N-type jack antenna connections for external antennas
- Antennas sold as accessory

### Interfaces

- An autosensing 10/100/1000 Base-T Ethernet Port
- Power over Ethernet (PoE) capable (802.3af) Ethernet Port
- Link Aggregation supported via Etherchannel (link aggregation at 10/100 only)
- 1x Serial RJ45 port (bits per second: 9600, data bits: 8, parity: none, stop bits: 1, flow control: none)
- 1x Reset Pinhole

### Physical

- LxWxH: 9 5/8 x 7 7/8 x 3 in. w/ locking hole extensions
- LxWxH: 8 13/16 x 7 1/8 x 2 3/4 w/o locking hole extensions
- 4.3 lbs, 6.05 lbs w/antennas and brackets

### Environmental

- Operating: -40 to +55°C, Storage: -40 to +80°C
- Humidity: 95%

### Environmental Compliance

- NEMA 4x
- IP 68

### Power Options

- 802.3af Power over Ethernet (PoE) port
- 48V DC external power adapter (sold separately)

### Power Specifications

- IEEE 802.3af PoE Power
- 48V, 0.625 A (Pre-802.3af)
- RJ-45 power input pins: Wires 4, 5, 7, 8 or 1, 2, 3, 6

### Power & Sensitivity Table

Power shown is per transmit chain and is a maximum power that the radio is capable of, power limits will be limited by local radio regulations.

Rate	2.4GHz, 5dBi		5GHz, 8dBi	
	TX Power	RX Sensitivity	TX Power	RX Sensitivity
<b>802.11b</b>				
1 Mbps	27	-95		
11 Mbps	27	-90		
<b>802.11g/a</b>				
6 Mbps	27	-94	26	-95
54 Mbps	24	-80	21	-80
<b>802.11n</b>				
MCS0	27	-95	27	-94
MCS7	23	-77	21	-76
MCS8	27	-90	27	-91
MCS15	23	-75	21	-73

## Features & Benefits

### Flexible Hardware Platform

- Two radios provide concurrent 802.11a/n and 802.11b/g/n connections with no degradation in performance
- Automatic or dedicated mesh backup
- Supports 802.3at PoE or standard power adapter

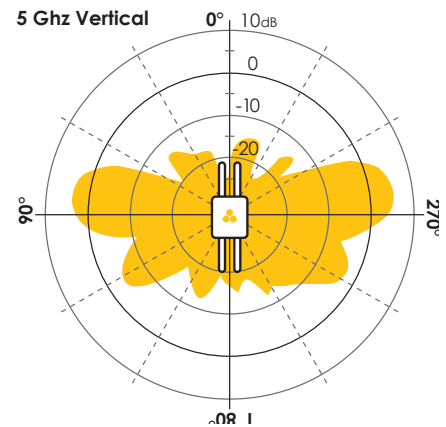
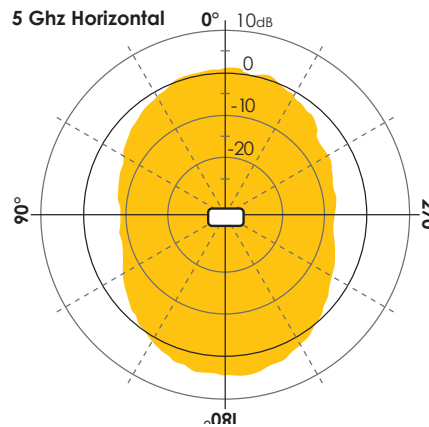
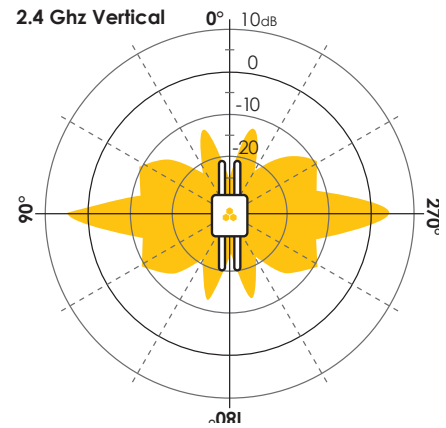
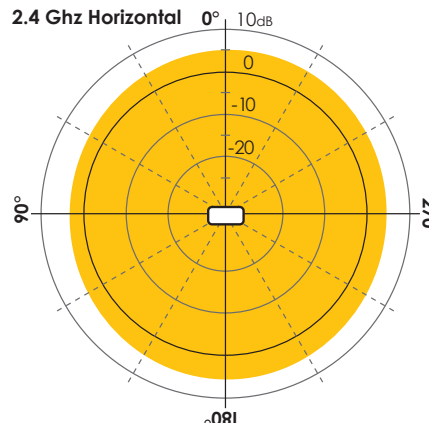
### Hardware Assisted Features

#### Security

- Trusted Platform Module (TPM)—Hardware-based key storage and encryption

- Wireless privacy & authentication Wi-Fi CERTIFIED™ WPA™ and WPA2™, 802.11i, WEP, 802.1x, PSK
- Granular user profile-based management defines QoS, mobility policies, and security policies for each user that enters the network
- Encryption: AES:CCMP, TKIP, and RC4 (WEP only)
- Marking and policing-WMM™ (802.11e) for wireless, 802.1p and/or DiffServ
- Wi-Fi CERTIFIED WMM
- WMM power save (U-APSD)

## RF Coverage Maps



SKU	Description
<b>HiveAPs</b>	
AH-AP-170-N-FCC	HiveAP 170, one 802.11b/g/n radio, one 802.11a/n radio, one 10/100/1000 Ethernet (PoE), wall and pole mount, FCC regulatory domain without power supply
AH-AP-170-N-W	HiveAP 170, one 802.11b/g/n radio, one 802.11a/n radio, one 10/100/1000 Ethernet (PoE), wall and pole mount, configurable regulatory domain without power supply
<b>AP Accessories</b>	
AH-ACC-170-ANT-2G	2.4Ghz N-Plug outdoor 5dBi antenna for HiveAP 170
AH-ACC-170-ANT-5G	5Ghz N-Plug outdoor 7dBi antenna for HiveAP 170
AH-ACC-170-ANT-KIT	HiveAP 170 outdoor antenna kit (2x2.4Ghz 5dBi and 2x5Ghz 7dBi)
AH-ACC-OINJ-33W	33W Outdoor PoE injector for HiveAP 170